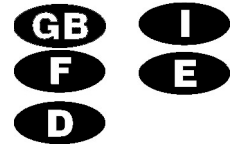


AQU@FAN AWC/AWN: 2-WAY VALVES KIT
AQU@FAN AWC/AWN: KIT VANNES 2 VOIES
AQU@FAN AWC/AWN: EINBAUSATZ 2-WEGE-VENTIL
AQU@FAN AWC/AWN: KIT VALVOLE 2 VIE
AQU@FAN AWC/AWN: KIT VÁLVULAS DE 2 VÍAS



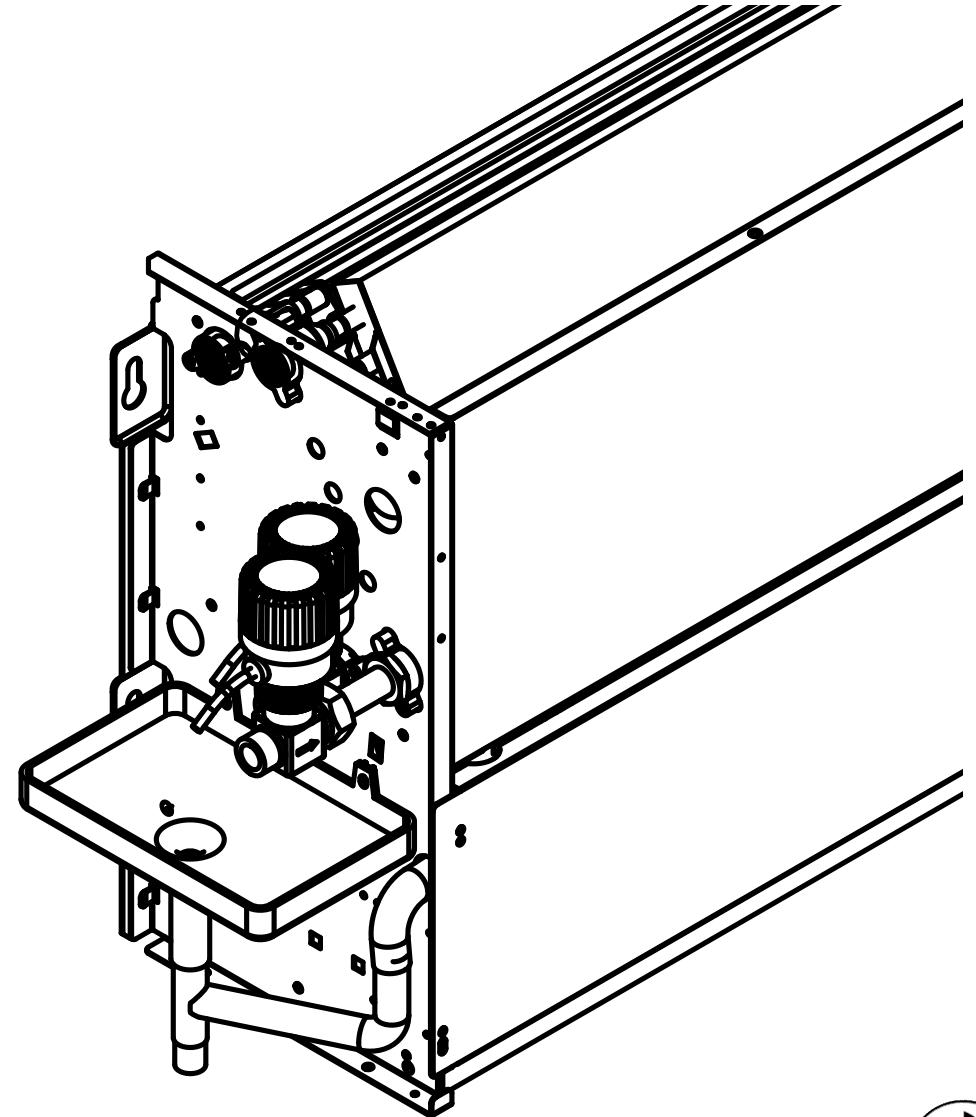
POWER SUPPLY MUST BE SWITCHED OFF BEFORE STARTING TO WORK IN THE ELECTRIC CONTROL BOX!

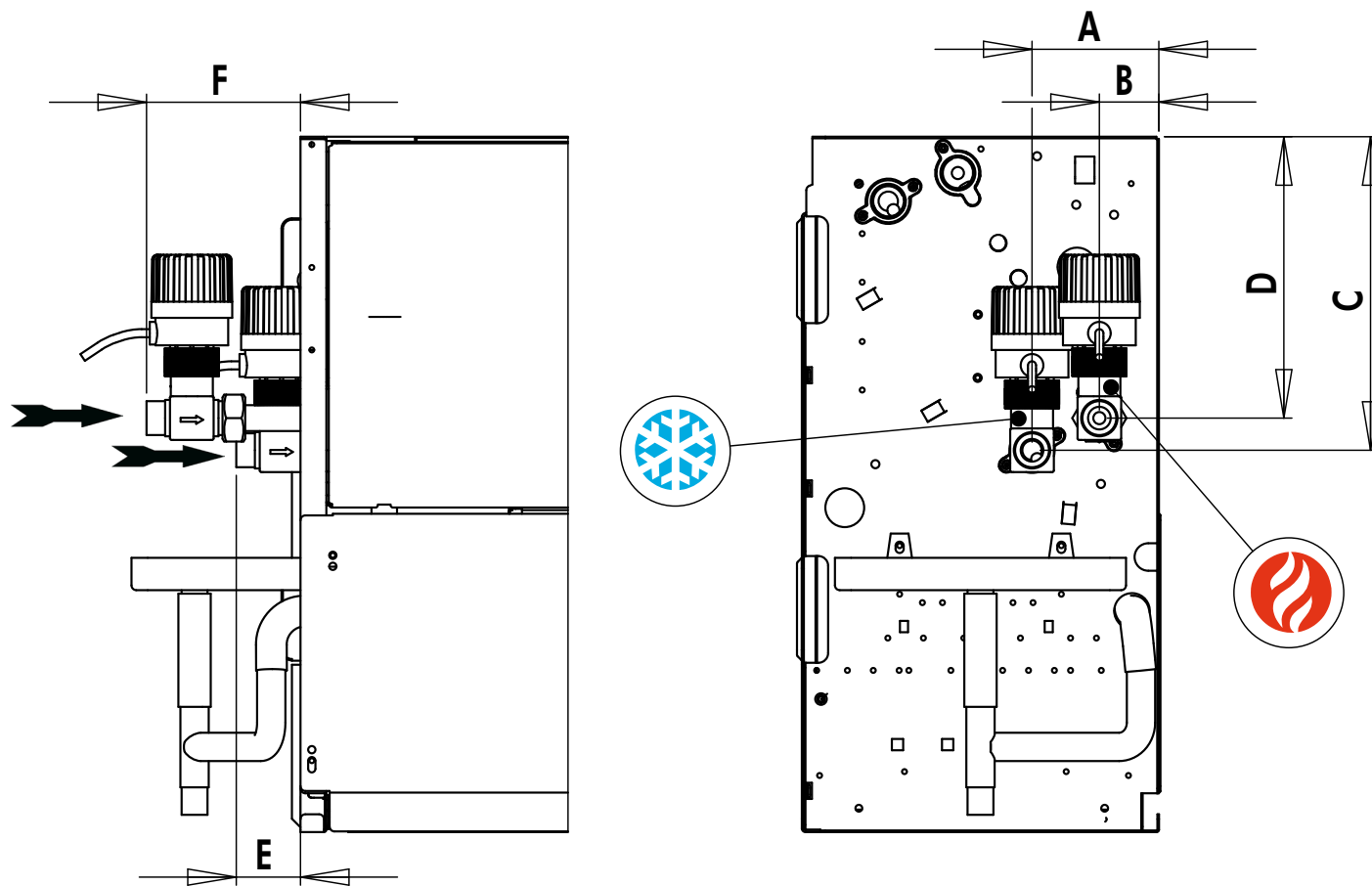
MISE HORS TENSION OBLIGATOIRE AVANT TOUTE INTERVENTION DANS LES BOITIERS ELECTRIQUES.



VOR JEDEM EINGRIFF AN DEN ANSCHLUSSKÄSTEN UNBEDINGT DAS GERÄT STROMLOS SCHALTEN!

PRIMA DI OGNI INTERVENTO SULLE CASSETTE ELETTRICHE ESCLUDERE TASSATIVAMENTE L'ALIMENTAZIONE!

PUESTA FUERA DE TNESIÓN OBLIGATORIA ANTES DE CUALQUIER INTERVENCIÓN EN LAS CAJAS ELÉCTRICAS!





| |  |  | A | B | C | D | E | F |
|----|---|---|------|----|-----|-----|----|-----|
| 10 | 1/2" | 1/2" | 78.5 | 37 | 194 | 174 | 40 | 102 |
| 20 | | | | | | | | |
| 30 | | | | | | | | |
| 40 | | | | | | | | |
| 50 | | | | | | | | |
| 60 | 3/4" | | 74 | 47 | 297 | 241 | 50 | |
| 70 | | | | | | | | |
| 80 | | | | | | | | |
| 90 | | | | | | | | |

