

AQU@FAN AWC: ATTACHMENT TO THE GROUND

AQU@FAN AWC: FIXATION AU SOL

AQU@FAN AWC: BEFESTIGUNG AM BODEN

AQU@FAN AWC: FISSAGGIO AL SUOLO

AQU@FAN AWC: FIJACIÓN EN EL SUELO

GB
F
D

I
E



x 2



x 4



x 4

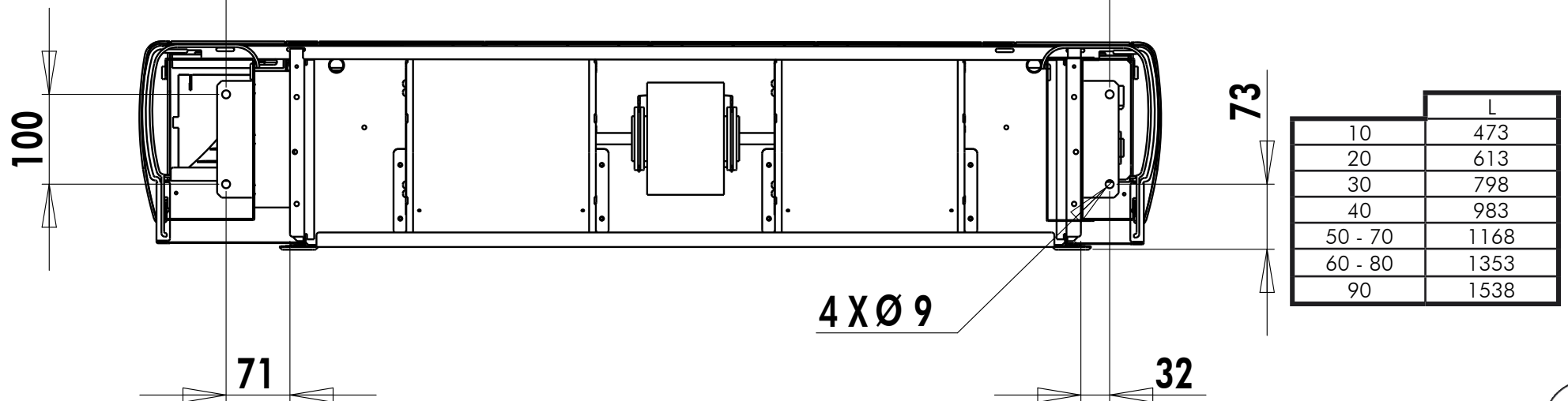


x 4



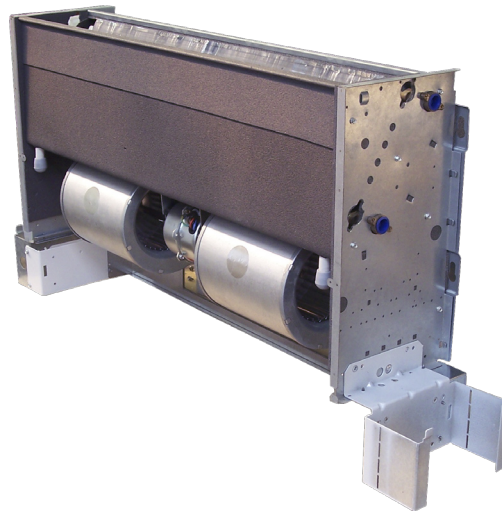
x 4

L





ELECTRICAL SIDE
COTE ELECTRIQUE
SEITE ELEKTROANSCHLÜSSE
LATO ELETTRICO
LADO ELÉCTRICO



HYDRAULIC SIDE
COTE HYDRAULIQUE
SEITE WASSERANSCHLÜSSE
LATO IDRAULICO
LADO HIDRÁULICO

